

UMPC HART COMMUNICATOR

For use with AUTROL Smart Transmitter Series

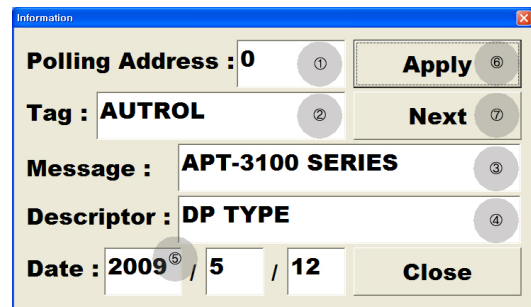
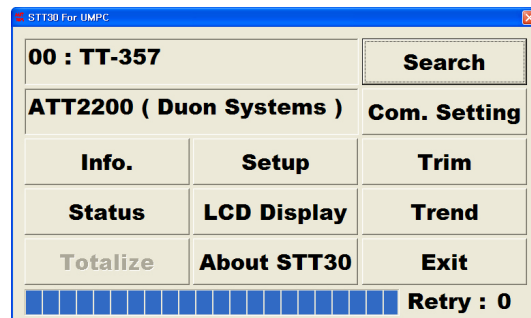
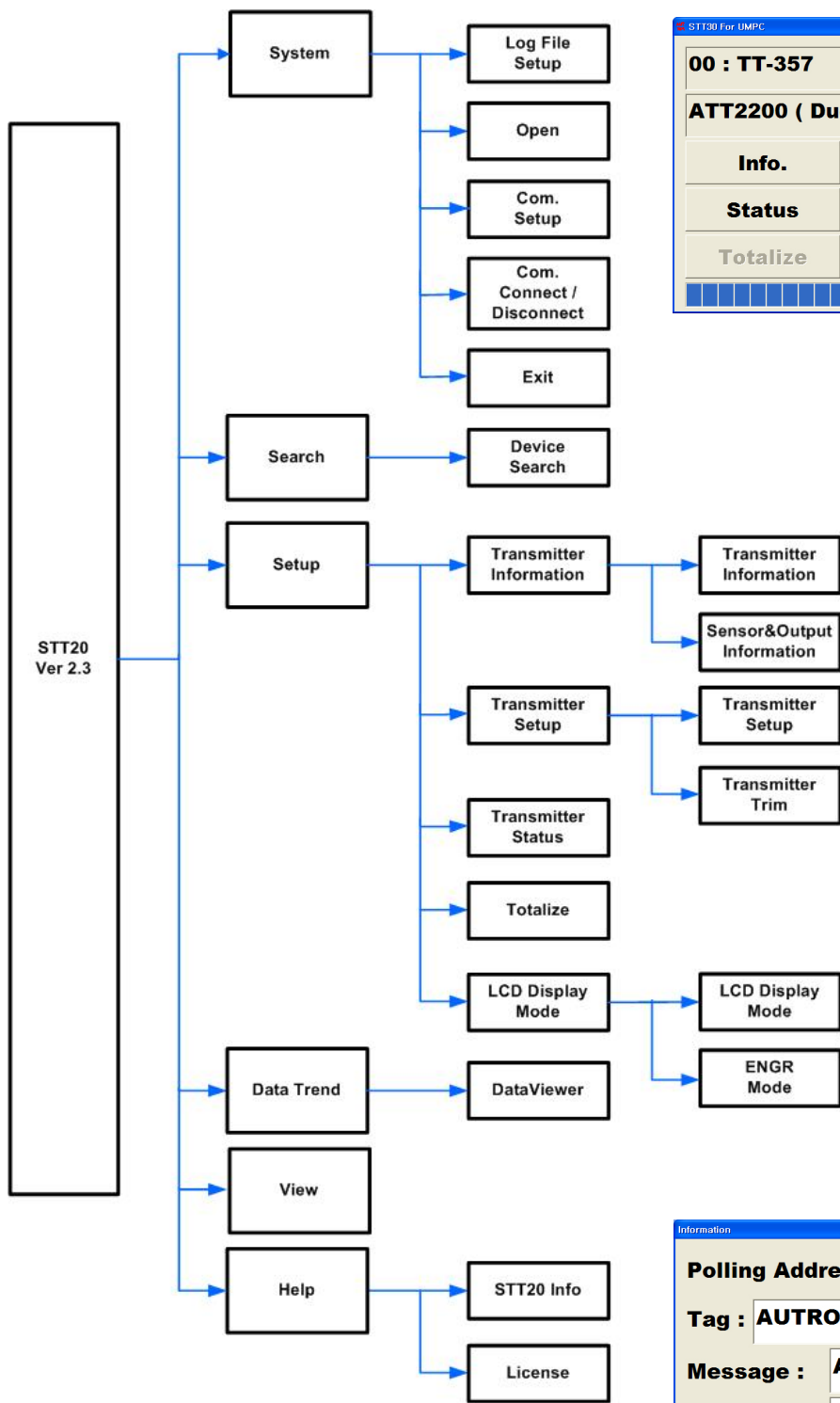


www.autroltransmitters.com

Autrol America Inc,
10 N. Martingale Rd, Suite 400.
Schaumburg, IL 60173. United States
T: 847-779-5000
F: 847-655-6062
Email: info@autroltransmitters.com

AUTROL®
UMPC Transmitter
Configurator ACONF

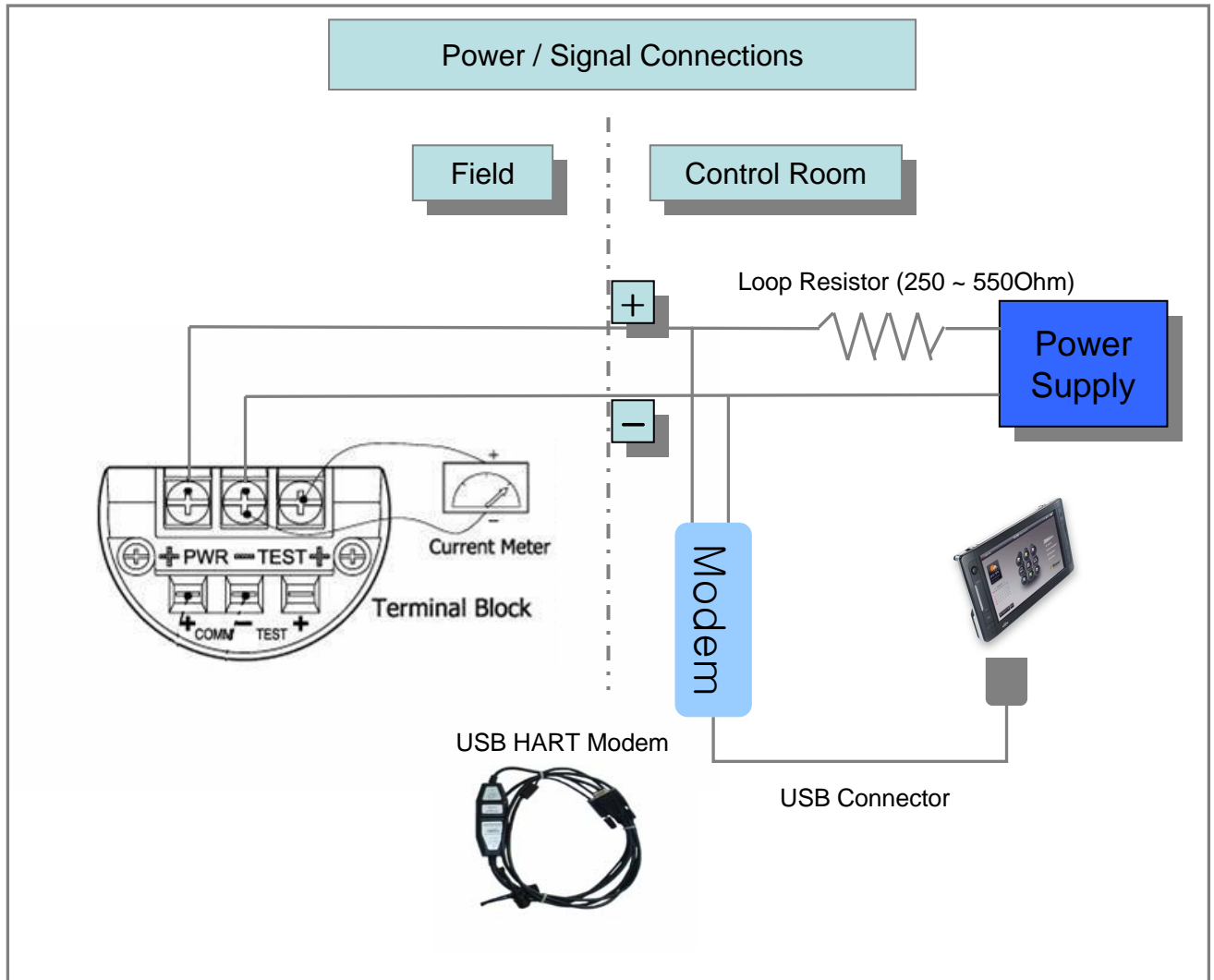
OPERATIONS MENU MAP





Operating System	Windows XP Home
Processor	VIA C7M ULV 1.2 GHz + VX700(3D support)
Display	4.8" WSVGA(1024 x 600) with touchscreen
Memory	512MB DDR2
Networking	802.11b/g WLAN and Bluetooth 2.0+EDR
Hard Drive	30GB 4200RPM PATA
Primary Battery	4Cell Lithium Ion Battery
Personalization	Webcam + Microphone jack
Dimension	192(L) x 82(W) x 28.5(H) mm (4 Cell)
Weight	526g Weight may vary by configuration
I/O Ports	1 Universal Serial Bus (USB 2.0), Microphone in, Headphone jack, 24PIN connector
AC Adapter	100V - 240V
DC In	12V 3A
Speakers	Integrated 2 Channel stereo speakers (1.0W)
Pointing Device	Touchpad with scroll capability
Keyboard	QWERTY 50 thumb keys

* Sample specs only. Actual configuration may vary based on ordered/shipped configuration. Check order specs for details on UMPC configuration shipped.



- First, connect UMPC with cradle and connect cradle serial port with USB connector. And then, connect HART modem which has two lines as the above picture.
- Second, turn on UMPC, click Start → STT30 from desktop or Windows Start Menu.

OTHER MANUFACTURER OPTIONS



EMERSON
375 Field Communicator



Fisher Rosemount HART
Communicator model 275



MFC 4100 HART
Communicator