

## PDTF Series – Temperature Switch

- ▶ 70°F to 285°F (20°C to 140°C)
- ▶ Withstands Acceleration to 8G
- ▶ Small Capillary for Harsh Applications

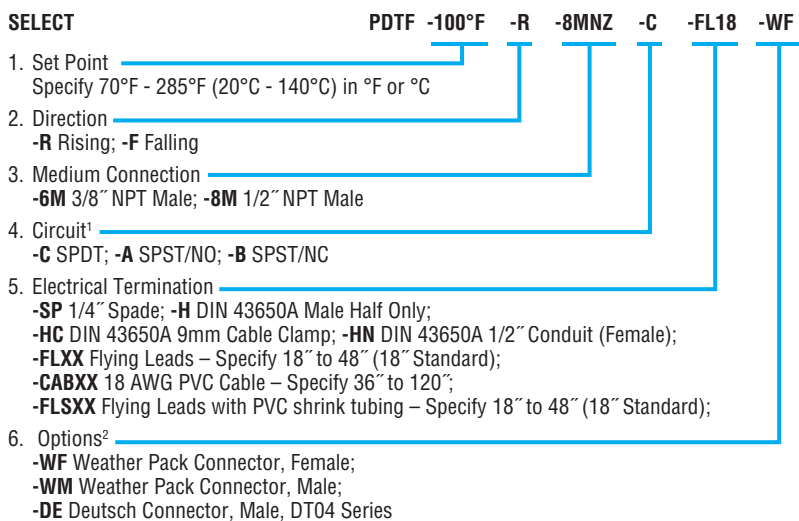
Gems PDTF Series is a factory set temperature switch for the protection of all types of internal combustion engines, pumps, compressors, gear boxes, hydraulic reservoirs, marine and industrial power plants. Model PDTF will withstand acceleration to 8G. Its compact and rugged construction allow it to be mounted in the toughest OEM applications. The PDTF utilizes a liquid-filled capillary to sense temperature changes. The liquid expands as the temperature increases, causing the capillary pressure to increase.

### Specifications

<b>Maximum Temperature</b>	55°F (25°C) above Set Point
<b>Switch</b>	Resistive 5 Amp; Inductive 2 Amp @ 12/24 VDC and 125/250 VAC
<b>Setting Tolerance</b>	±6°F (±3°C)
<b>Wetted Parts</b>	
<b>Housing</b>	Zinc Plated Steel
<b>Capillary</b>	Brass
<b>Electrical Termination</b>	DIN 43650A IP65; Flying Leads IP65
<b>Maximum Pressure</b>	350 psi (25 bar)
<b>Deadband</b>	19°F (9°C) Average
<b>Approvals</b>	CE
<b>Weight, Approximate</b>	0.3 lbs. (0.14 kg)

### How To Order

Use the **Bold** characters from the chart below to construct a product code.



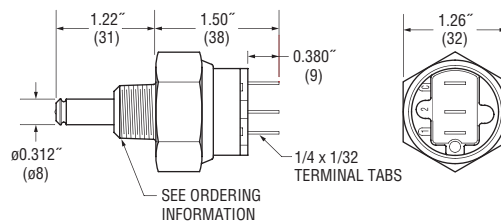
#### Notes:

- Lead wires required on all selections except **-C** SPDT option.
- Other Connectors Available. Consult Factory.

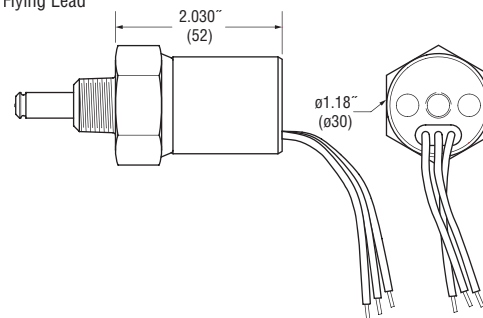


### Dimensions

Spades



Flying Lead



DIN 43650A

